

AW-ANT-K10-BFEM

Low-Profile | Wide-Beam | Smart Shelf-Antenna

The Argo Wireless AW-ANT-K10-BFEM is a compact RFID UHF patch antenna, with a very thin form factor, circular polarization and a radiation pattern characterized by a wide beam in all directions in one hemisphere. This radiation pattern makes this antenna ideal for many RFID application such as smart shelves, smart displays, smart panels and smart tables or other surfaces.



Wide Beam Range



Thin Form Factor



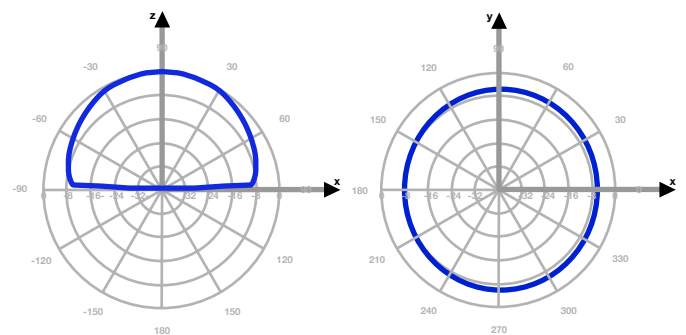
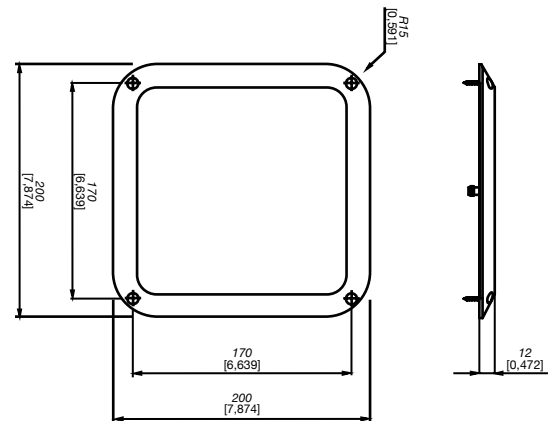
Cost Effective

Electrical

Regulatory Compliance	RoHS - EU Directive
Frequency Range	902 - 928 MHz (FCC part 15)
Gain	3.4 dBic (Typical)
VSWR	<1.4:1
Polarization	Circular- RHCP
3db Elevation Beamwidth	100°
3db Azimuth Beamwidth	100°
F/B Ratio	< -15 dB
Input Impedance	50 (ohm)
IP Rating	IP62
Axial Ratio	2.1 dB (typ), 4 dB (max)

Mechanical

Temperature Range	-20° C + 80° C
Connector	SMA - Female
Weight	115 g
Mounting Kit	AW-MNT-KA
Antenna Technology	Patch



Azimuth Radiation Pattern

Elevation Radiation Pattern